

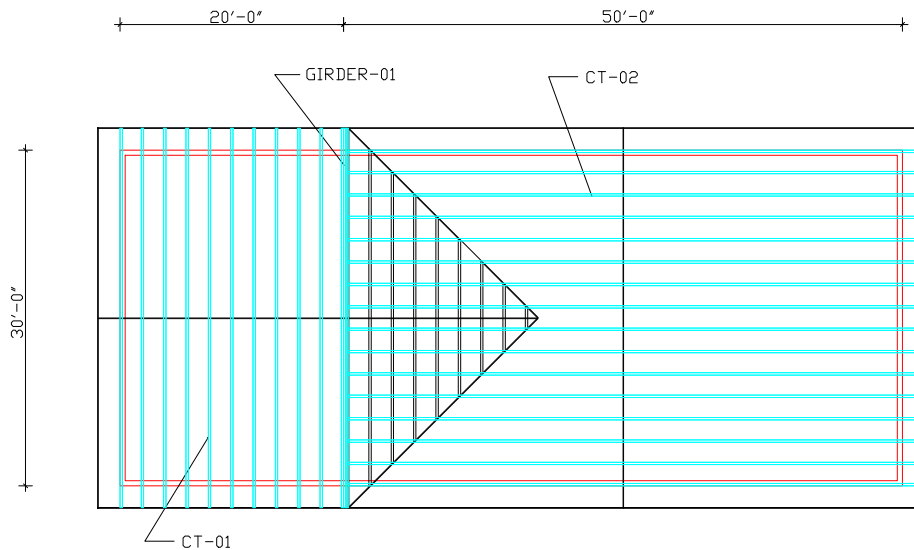
TPIC Technical Bulletin #3

Revision date: Nov. 14, 2013

Part 4 Trusses in Part 9 Buildings

This commentary presents two different scenarios for Part 4 trusses in Part 9 buildings and presents the guidance TPIC was given by the Codes Section of the Institute for Research in Construction, who assists the Committees responsible for the preparation of the National Building Code of Canada.

Case 1. Girder-01 with a span of 30' supporting trusses 50' long.



Design Requirements:

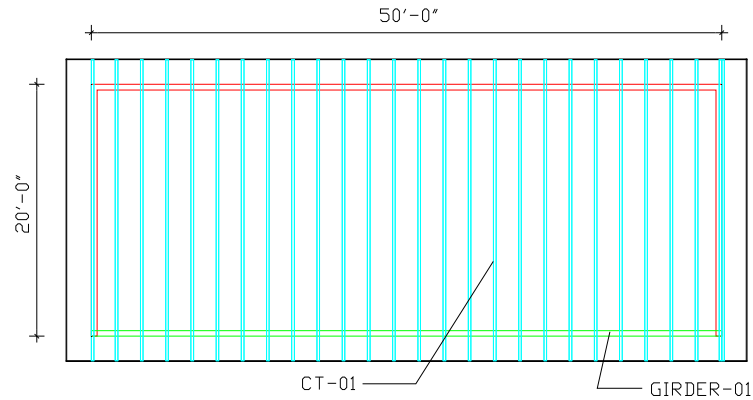
Truss CT-01	55% GSL	Part 9 Design
Truss CT-02	80% GSL + Imbalance	Part 4 Design
Girder-01	Highest Reaction of CT - 02	Part 4 Design

TPIC Technical Bulletin #3

Revision date: Nov. 14, 2013

Part 4 Trusses in Part 9 Buildings

Case 2. Girder-01 with a span of 50' supporting trusses 20' long.



Design Requirements:

Truss CT-01	55% GSL	Part 9 Design
Girder-01	Reaction of CT-01	Part 4 Design